

LH-3500 Series

2-needle, Semi-dry-head, Lockstitch Machine



A semi-dry head is now installed in every model of the LH-3500 series.

LH-3500 series

An operators using the LH-3500 can easily adjust the seams after changing sewing conditions such as the material, thread, tooling, and settings.

The LH-3500 is a basic 2-needle model with upgraded functions and a reasonable cost.



LH-3528

(Standard hooks) **LH-3528/3528-7**

(Large hooks) **LH-3578/3578-7**

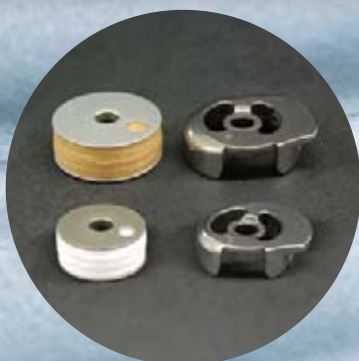


LH-3568

(with organized split needle bar)

(Standard hooks) **LH-3568/3568-7**

(Large hooks) **LH-3588/3588-7**



The "large-hook type" uses a hook 1.7 times larger than standard. This increase in size reduces the frequency of bobbin-thread changes.

※ LH-3578/3578-7, LH-3588/3588-7

※ The picture shows the cap-type hook for the LH-3568/3568-7 and LH-3588/3588-7. The LH-3528/3528-7 and LH-3578/3578-7 use a latch-type hook.

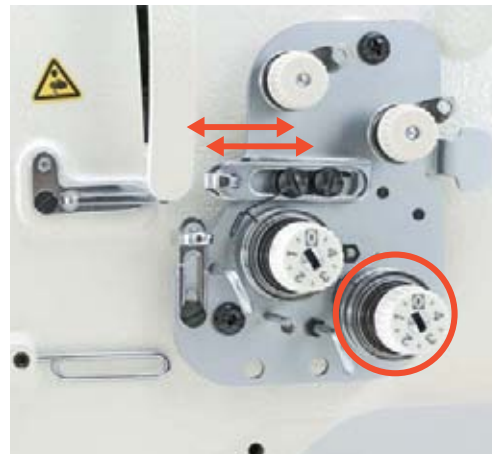
The machine supports a broader range of sewing specifications.

The LH-3500 has a broader range of thread tensions compared to predecessor models.

With its widely adjustable thread tensions, the LH-3500 can sew materials of many weights, from light to heavy.

A thread tensioner is provided for each thread

The needle thread tensioner uses the same type of thread tension controller used in the JUKI series of 1-needle lockstitch machines. The right- and left-thread tensions are separately controlled by independent thread tensioners to facilitate adjustment. The operator can also use separately adjustable take-up thread guides on the right and left to sew with thread tensions exactly as desired.



Tensioner

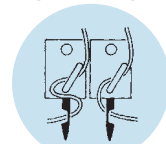
New wire-type needle bar thread guide

The machine comes with a newly developed needle clamp to increase the stability of needle-thread loops and to reduce untwining of the thread. The needle clamp works to improve the right and left seam balance and prevent thread breakage, in an idling stitching process, by changing needle threading according to the type and thickness of thread.

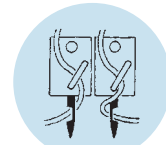


LH-3568-7

Changing the needle-threading: An example of the procedure



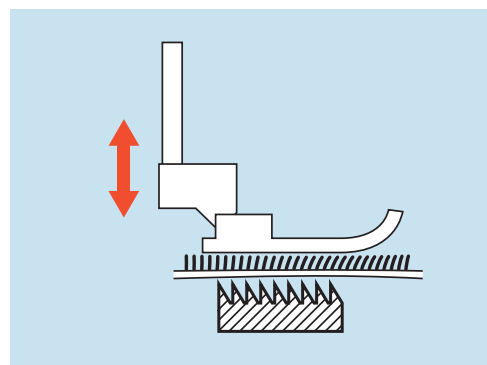
Filament thread (thin thread)



Filament thread (medium- to thick thread),
Span thread

Material-friendly micro-lifter

The "presser foot" can be lifted by a minute amount by adjusting the "eccentric pin" located in the presser lifter lever section. When working on shaggy and elastic fabrics, the operator slightly lifts the presser foot to reduce the load applied to the sewing material. Fabrics are handled more easily and finished without sacrifices in the inherent beauty of the color or texture.

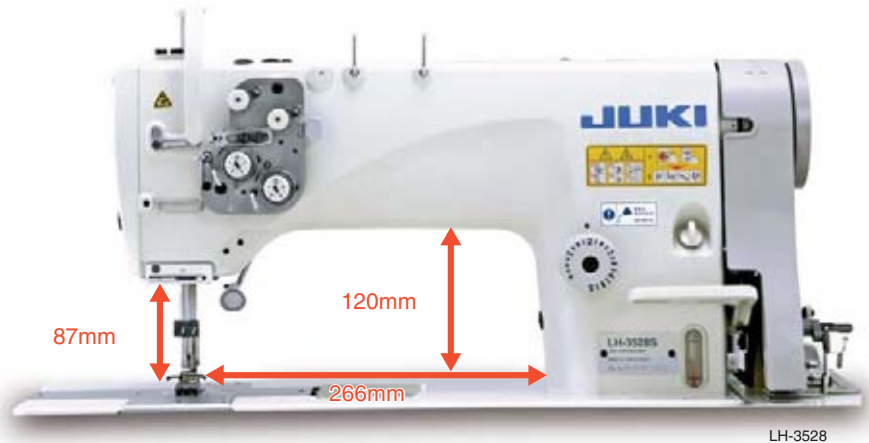


Upgraded workability and reliability

The increased width and height between the arm and needle help reduce operator fatigue. A new and more reliable thread-trimming mechanism is also adopted.

The increased distance from the machine arm to the needle promises enhanced workability

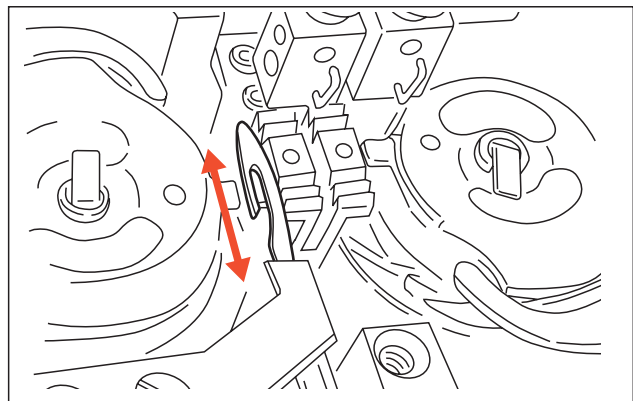
The high-&-long design of the machine arm is adopted. This extends the height of the arm and distance between the arm and needle, securing more space for the handling of larger products such as jeans. The open space also improves visibility by allowing in more light from luminaires and other light sources.



LH-3528

New, highly reliable thread-trimming mechanism

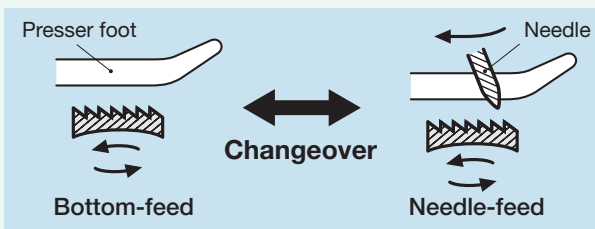
The thread-trimming mechanism has been completely changed from a conventional rocking type to a direct-acting type. The direct-acting thread-trimming mechanism trims both the needle thread and bobbin thread with complete uniformity and reliability by ensuring that the threads spread consistently. As an added merit, the bobbin-thread-retention function has improved maintainability as well as adjustability.



Optional functions (only for the LH-3528)

Changeover between the needle feed and bottom feed

To sew lighter-weight materials without puckering, the feed method can be changed over to bottom feed through a simple adjustment and gauge replacement. The bottom feed method prevents puckering more effectively and enables sewing at lower thread tensions compared with the needle feed method.



Needle-feed gauge		
Presser foot	Throat plate	Feed dog
Bottom-feed gauge		
Presser foot	Throat plate	Feed dog

A semi-dry head is now installed in all of the models of the LH-3500 Series.

All models of the LH-3500 Series are provided with a semi-dry head to eliminate staining with oil from the frame (the needle bar part).

Two oiling systems newly adopted

(1) Oil circulation system (standard)

The oil which drops from the area surrounding the hook into the under cover is purified with a circulation filter and then returned to the oil tank. This reduces oil consumption and liberates users from cumbersome oiling work.

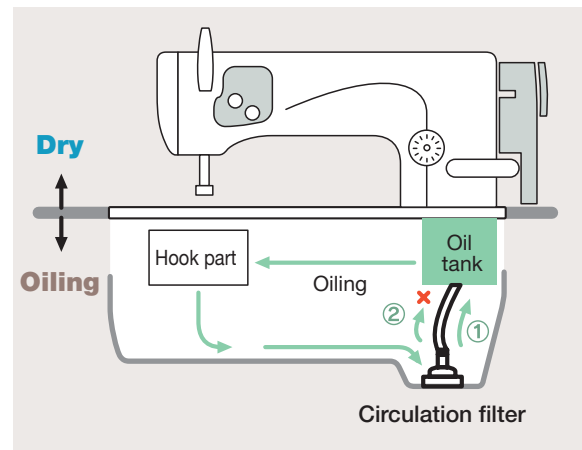
(2) Clean oil system

The oil which drops from the area surrounding the hook part into the under cover is never circulated. Only clean oil is fed to the hook.

※ Two different oiling systems can be selected.



Oil tank



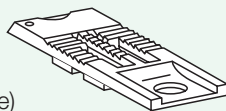
Picture of oil circulation

Options

Throat plate for tape attaching

The throat plate is designed with a hollow on the side facing the operator. This hollow helps smooth the feeding of tape.

(for foundation type)



inch	mm	Part No.
1/8	3.2	22628002
3/16	4.8	22628200
7/32	5.6	22628309
1/4	6.4	22628408
9/32	7.1	22628507
5/16	7.9	22628606

Kit A for one-touch type reverse feed

: Part No. 40041976

Kit B for one-touch type reverse feed

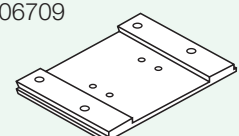
: Part No. 40051460

Automatic back-tucking device can be retrofitted to the machine with no thread trimmer.

*Kit B for one-touch type reverse feed contains kit A for one-touch type reverse feed, a built-in synchronizer, a resistor pack and a pulley.

Slide plate (front): Part No.23206709

This reduces the height when the tape-attaching holder is fixed on the machine.



■ WHEN YOU PLACE ORDERS

Please note when placing orders, that the model name should be written as follows:

● Without automatic thread trimmer

Dry type	Code	Seam application	Code			
Semi-dry-head	S		LH-3528	LH-3568	LH-3578	LH-3588
		Light-weight	A	-	-	-
		Foundation	F	-	-	-
		Medium-weight	S	S	-	-
		Jeans and heavy-weight	G	G	G	G

LH-35 [] [] **S** [] [] [] [] [] [] [] [] [] [] []

Machine head	Code
Standard hooks	28
Organized split needle bar and standard hooks	68
Large hooks	78
Organized split needle bar and large hooks	88

Wiper and one-touch type reverse feed		
Wiper	One-touch type reverse feed	Code
Not provided	Not provided	00
Not provided	Provided	0B

※0B is only applicable to Seam application F (Foundation).
 ※The clutch motor cannot be used for models with the 0B option.

Auto-lifter	Code
Not provided	
Provided	AK135

※ Models with the AK device are only applicable to Seam application F (Foundation).
 ※ The clutch motor cannot be used for models with the AK device.

Feed system	Code
Needle-feed	A
Bottom-feed	B

※ Feed system B (bottom feed) is applicable to all models grouped into Seam application A and Seam application F is only applicable to the needle gauge system B, D or F.

Attachment (throat plate)	Code
Standard	S
For tape attaching	T

※ "T" represents the presser foot with a guide, throat plate for tape attachment, and slide plate for tape attachment. Attachment "T" is only available with the LH-3528F (for the foundation seam specification).



Code	Needle gauge		Seam application							
			LH-3528				LH-3568			
	inch	mm	A	F	S	G	S	G	G	G
A	3/32	2.4	△							
B	1/8	3.2	○	○	△	△	△	△	△	△
C	5/32	4.0	△		△		△			
D	3/16	4.8	○	○	○	○	○	○	○	○
E	7/32	5.6		○	△	△	○	△	△	△
F	1/4	6.4	○	○	○	○	○	○	○	○
G	9/32	7.1	△	○	△	△	△	△	△	△
H	5/16	7.9	△	○	△	△	△	△	△	△
K	3/8	9.5	△		○	△	○	△	△	△
W	7/16	11.1			△	△	△	△	△	△
L	1/2	12.7	△		△	△	△	△	△	△
M	5/8	15.9			△	△	△	△	△	△
N	3/4	19.1	△		△	△	△	△	△	△
P	7/8	22.2	○		△	△	△	△	△	△
Q	1	25.4	○		○	△	△	△	△	△
R	1-1/8	28.6	△		△	△			△	
S	1-1/4	31.8	△		△	△			△	
T	1-3/8	34.9			△	△			△	
U	1-1/2	38.1			△	△			△	

○ : A gauge designed for factory-installation at delivery
 ○ : A gauge designed for factory-installation to the bottom feed model at delivery
 △ : A gauge available as a part

● With automatic thread trimmer

Machine head	Code	Dry type	Code	Seam application	Code
Standard hooks	28	Semi-dry-head	S	Medium-weight	S
Organized split needle bar and standard hooks	68			Jeans and heavy-weight	G
Large hooks	78				
Organized split needle bar and large hooks	88				

※ Only the seam application G is available for the LH-3578-7 and -3588-7.

LH-35 [] [] **S** [] [] **7WB** [] [] [] [] [] []

Wiper and one-touch type reverse feed		
Wiper	One-touch type reverse feed	Code
Provided	Provided	WB

Auto-lifter	Code
Not provided	
Provided	AK135

Code	Needle gauge		Seam application							
			LH-3528-7		LH-3568-7		LH-3578-7		LH-3588-7	
	inch	mm	S	G	S	G	G	G	G	
A	3/32	2.4								
B	1/8	3.2	△	△	△	△	△	△	△	
C	5/32	4.0	△		△					
D	3/16	4.8	○	○	○	○	○	○	○	
E	7/32	5.6	△		○				△	
F	1/4	6.4	○	○	○	○	○	○	○	
G	9/32	7.1	△		△					
H	5/16	7.9	△	△	△			△	△	
K	3/8	9.5	○	△	△	△	△	△	△	
W	7/16	11.1			△					
L	1/2	12.7	△	△	△	△	△	△	△	
M	5/8	15.9	△		△					
N	3/4	19.1	△	△			△			
P	7/8	22.2	△		△					
Q	1	25.4	△		△					
R	1-1/8	28.6	△							
S	1-1/4	31.8	△							
T	1-3/8	34.9								
U	1-1/2	38.1								

○ : A gauge designed for factory-installation at delivery
 △ : A gauge available as a part

● To order, please contact your nearest JUKI distributor.

SPECIFICATIONS

Model name	LH-3500 Series	
Application	A: Light-weight, S: Medium-weight, F: Foundation, G: Jeans and heavy-weight	
Dry type	Semi-dry-head	
Max. sewing speed	3,000rpm	
Distance from needle to machine arm	120mm (H) × 266mm (W) × 87mm (height of jaw part)	
Needle gauge	LH-3528	3/32" ~ 1-1/2" (2.4~38.1mm)
	LH-3528-7	1/8" ~ 1-1/4" (3.2~31.8mm)
	LH-3568	1/8" ~ 3/4" (3.2~19.1mm)
	LH-3568-7	1/8" ~ 3/4" (3.2~19.1mm)
	LH-3578	3/16" ~ 1-1/2" (4.8~38.1mm)
	LH-3578-7	3/16" ~ 1/2" (4.8~12.7mm)
	LH-3588	3/16" ~ 1/2" (4.8~12.7mm)
Needle gauge	LH-3588-7	3/16" ~ 1/2" (4.8~12.7mm)
Feed system	Changeover between the needle feed and bottom feed	
Max. stitch length	5mm (F type: 4mm)	
Needle bar stroke	33.4mm	
Thread take-up	Slide type	
Tensioner	Integral type (lockstitch type)	
Thread winder	Belt-driven	
Lift of the presser foot	Standard hooks: 7mm (by hand), 13mm (by knee) / Large hooks: 7mm (by hand), 13mm (by knee)	
Lubrication system	Oil circulation system (standard), Clean oil system	
Tank capacity	220cm ³	
Lubricating oil	JUKI New Defrix Oil No.1	
Needle	DP×5 #9~#16 (A, F and S type) #16~22 (G type)	
Outside dimensions of package	718mm (H) × 341mm (W) × 744mm (L)	
Machine head weight (including the package)	LH-3528/3568/3578/3588:48kg , LH-3528-7/3568-7/3578-7/3588-7:50kg	

MOTOR PULLEY · BELT

● Without automatic thread trimmer

Motor pulley	Number of revolutions (rpm)		Belt
	50Hz	60Hz	Length (inch)
75	3,000	–	43
70	2,790	–	
65	2,580	3,000	42
60	2,370	2,740	

● With automatic thread trimmer

Control box	Belt
Model	Length (inch)
SC-500	43

JUKI® 8-2-1, KOKURYO-CHO, CHOFU-SHI,
TOKYO 182-8655, JAPAN
PHONE : (81) 3-3480-2357, 2358
FAX : (81) 3-3430-4909
MARKETING & SALES H.Q. <http://www.juki.com>

* Specifications and appearance are subject to change without prior notice for improvement.
* Read the instruction manual before putting the machine into service to ensure safety.
* This catalogue prints with environment-friendly soyink on recycle paper.



JUKI CORPORATION HEAD OFFICE

Juki Corporation operates an environmental management system to promote and conduct the following as the company engages in the research, development, design, sales, distribution, and maintenance of industrial sewing machines, household sewing machines, industrial robots, etc., and in the provision of sales and maintenance services for data entry systems:

- ① The development of products and engineering processes that are safe to the environment
- ② Green procurement and green purchasing
- ③ Energy conservation (reduction in carbon-dioxide emissions)
- ④ Resource saving (reduction of papers purchased, etc.)
- ⑤ Reduction and recycling of waste
- ⑥ Improvement of logistics efficiency (modal shift and improvement of packaging, packing, etc.)